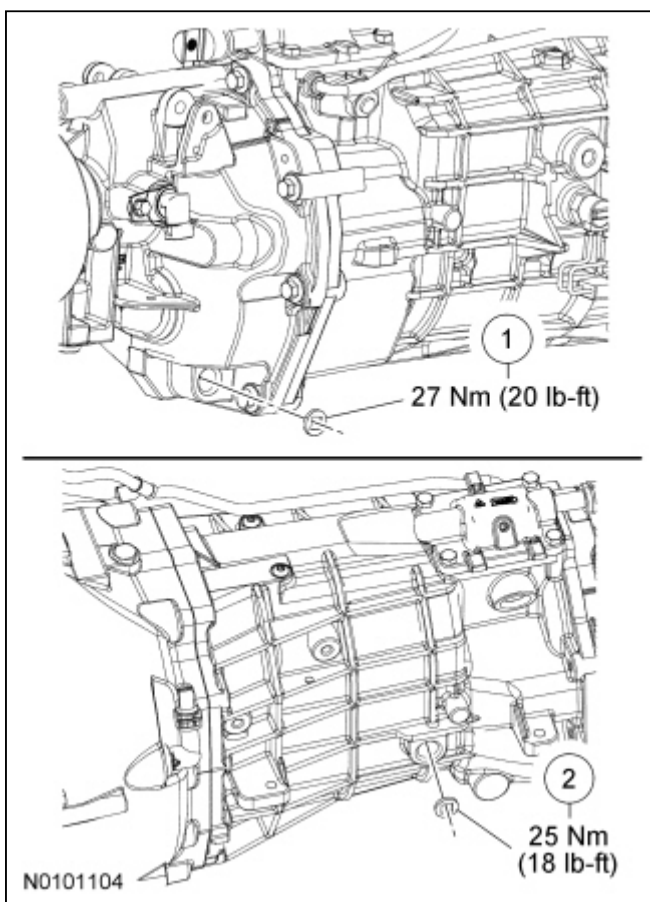


Transmission Draining and Filling

Material

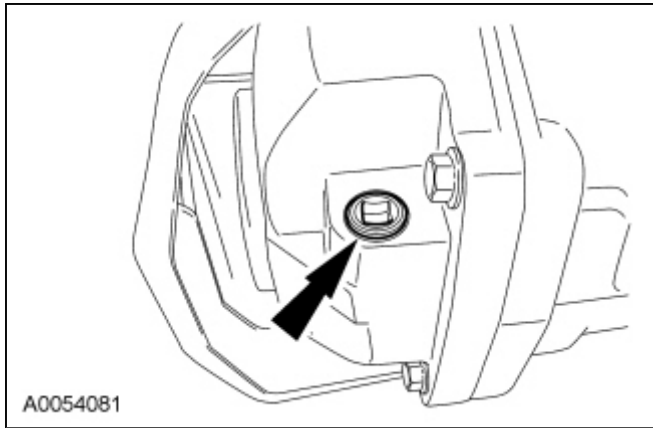
Item	Specification
MERCON® V Automatic Transmission Fluid XT-5-QM (or XT-5-QMC) (US); CXT-5-LM12 (Canada)	MERCON® V
Threadlock and Sealer TA-25	WSK-M2G351-A5



Item	Part Number	Description
1	7A010	Drain plug
2	7A010	Fill plug

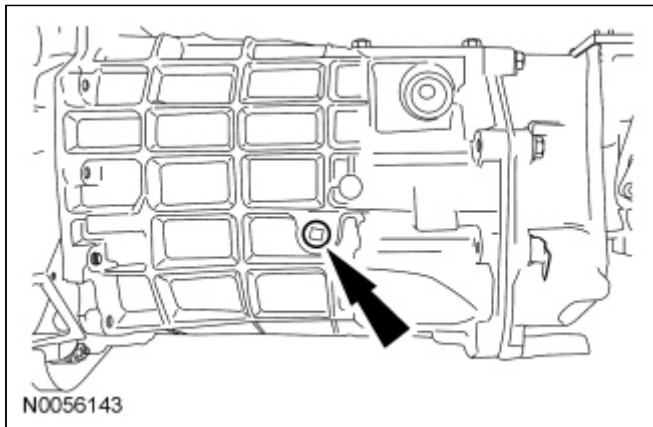
1. With the vehicle in NEUTRAL, position it on a hoist. For additional information, refer to [Section 100-02](#).
2. **NOTE:** Position a suitable drain pan under the transmission.

Remove the drain plug and drain the transmission.

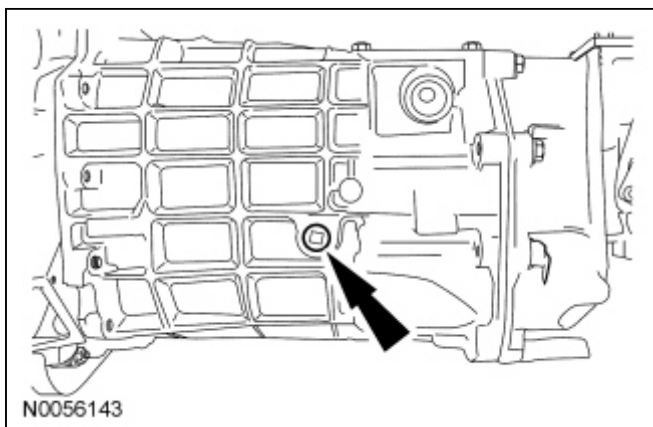


3. Clean the drain plug. Apply threadlock and sealer to the plug threads and install the drain plug.
 - Tighten to 27 Nm (20 lb-ft).
4. **NOTE:** Before removing, clean the area around the fill plug.

Remove the fill plug.



5. Using a suitable oil suction gun, fill the transmission to the correct level with the specified fluid.
 - Transmission capacity is 3.46L (3.65 qt).



6. Apply threadlock and sealer to the plug threads and install the fill plug.
 - Tighten to 25 Nm (18 lb-ft).
-

